

meas. no. 96L669
meas. date 10/8/2017
operator LightLab

meas. conditions
 ambient temperature 25.0 °C
 voltage 230.00 V
 current 0.750 A
 power consumption 168.0 W

meas. lamps lum. flux [lm]
 1 16700.0 lm

measurement results
 flux of luminaire 16700.3 lm
 classification / DIN A60
 lower flux fraction 99.64 %
 upper flux fraction 0.36 %
 intensity maximum 567.8 cd/klm
 in C-plane 182.5 °
 at gamma 7.5 °
 half value angle C0 : 43.8 °
 C90 : 43.1 °
 C270 : 43.0 °
 tenth value angle C0 : 62.3 °
 C90 : 54.1 °
 C270 : 52.9 °

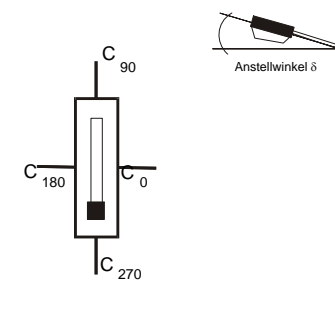
article code
 Ecowat Co.

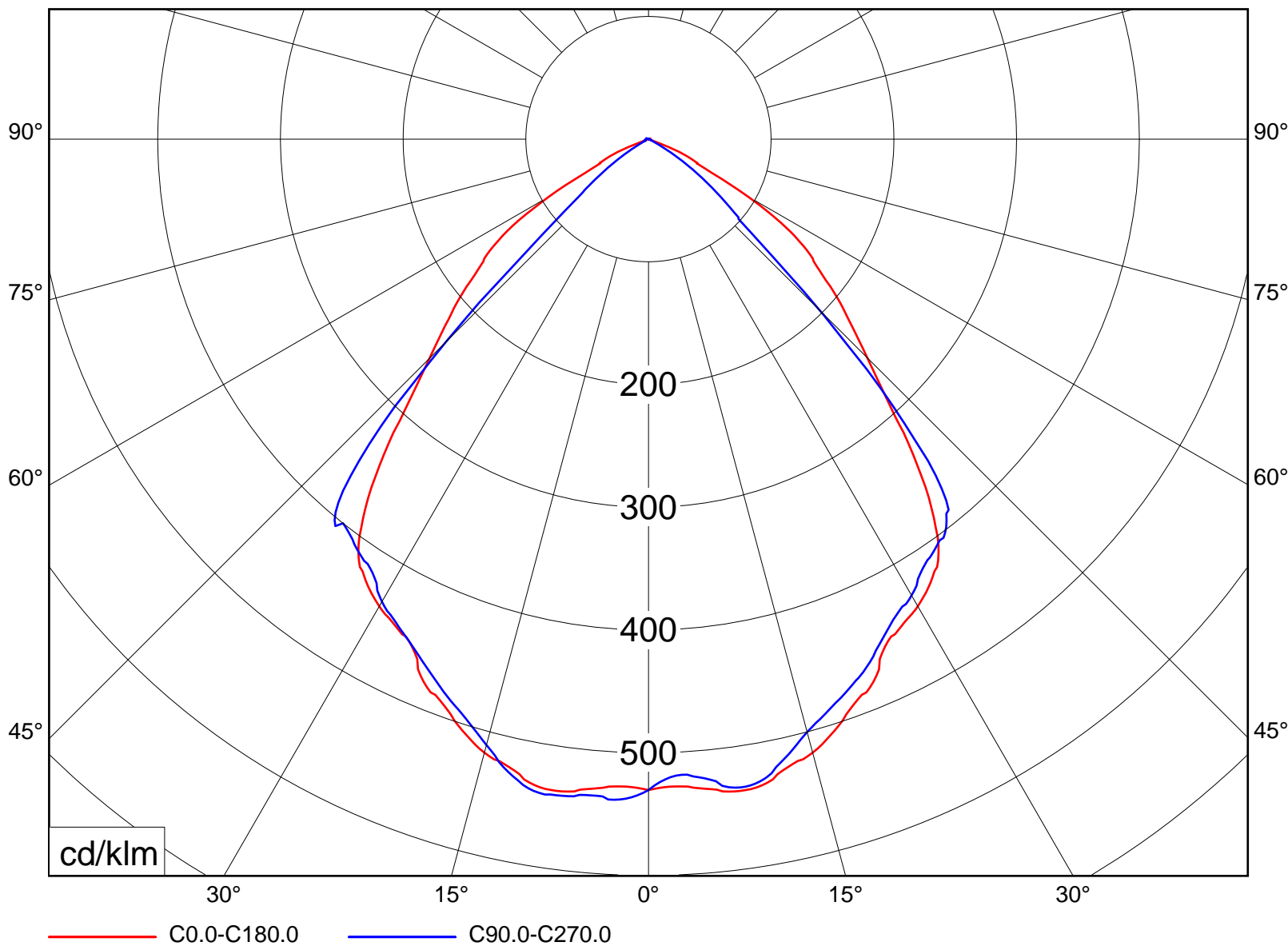
lamp(s)
 1 x LED
 total flux 16700 lm
 LOR
 100 %
 tilt angle 0.0 °

file
 FLOODLIGHT_L

dimensions of luminaire
 length 380 mm
 width 290 mm
 height 125 mm

dimensions of luminous area
 length 250 mm
 width 140 mm
 height C0 90 mm
 height C90 90 mm
 height C180 90 mm
 height C270 90 mm





article code

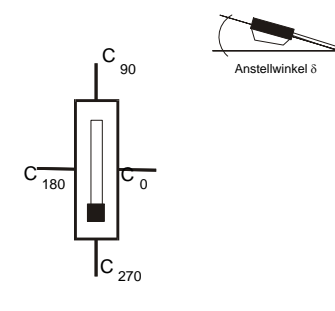
Ecowat Co.

lamp(s)

1 x LED
total flux
16700 lm
LOR
100 %
tilt angle
0.0 °

file

FLOODLIGHT_L



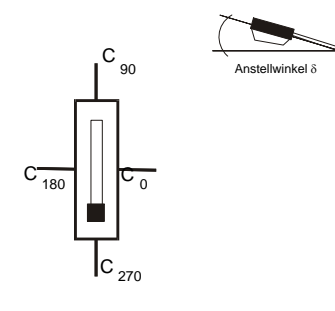
distance [m]	cone diameter [m]	E [lx]
1.0	1.92	E(0°) 8853 E(C0) 43.8° 3235
2.0	3.84	E(0°) 2213 E(C0) 43.8° 809
3.0	5.75	E(0°) 984 E(C0) 43.8° 359
4.0	7.67	E(0°) 553 E(C0) 43.8° 202
5.0	9.59	E(0°) 354 E(C0) 43.8° 129
6.0	11.51	E(0°) 246 E(C0) 43.8° 90

half value angle 87.6°

article code
Ecowat Co.

lamp(s)
1 x LED
total flux
16700 lm
LOR
100 %
tilt angle
0.0 °

file
FLOODLIGHT_L



article code

Ecowat Co.

lamp(s)

1 x LED

total flux

16700 lm

LOR

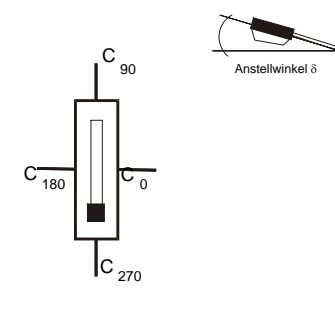
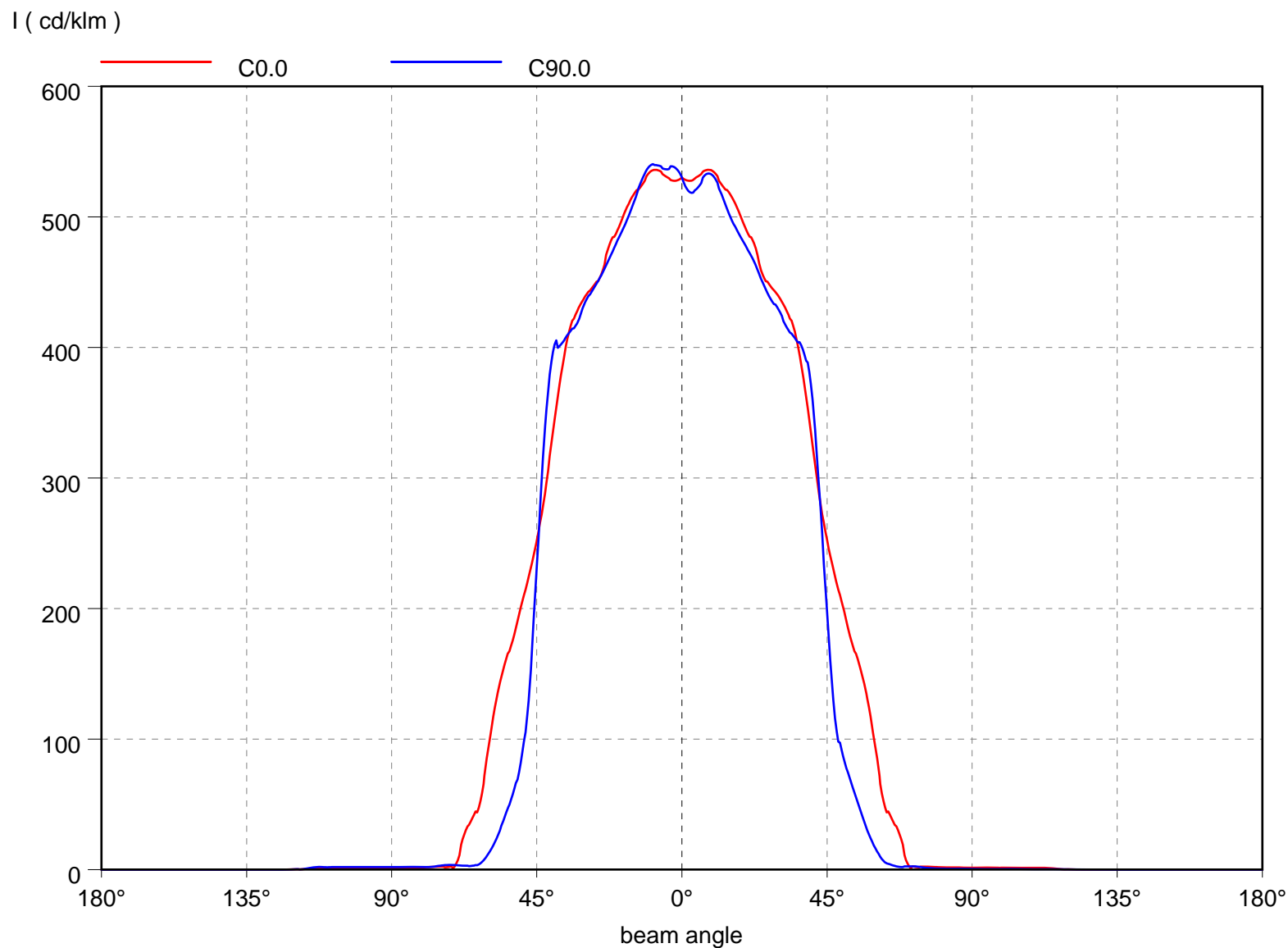
100 %

tilt angle

0.0 °

file

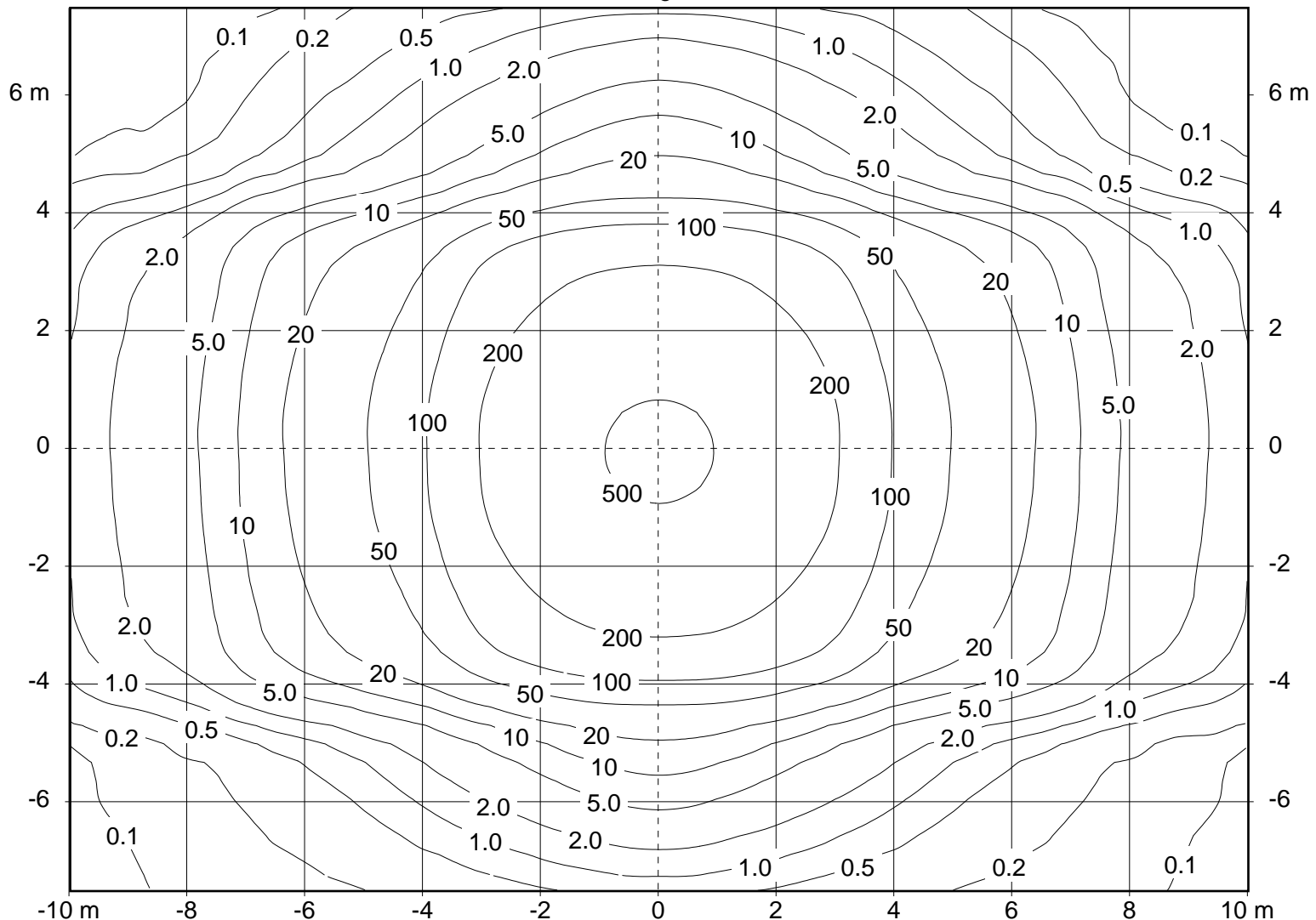
FLOODLIGHT_L



tilt angle : 0.0°
Schwenkwinkel : 0.0°

Lichtpunkthöhe : 4.0 m
Orientierung : 0.0°

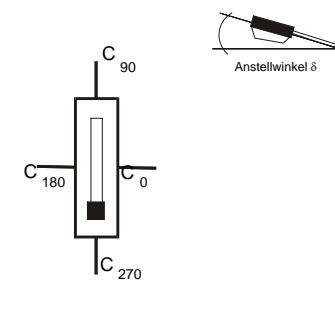
Verminderungsfaktor : 1.0



article code
Ecowat Co.

lamp(s)
1 x LED
total flux
16700 lm
LOR
100 %
tilt angle
0.0°

file
FLOODLIGHT_L



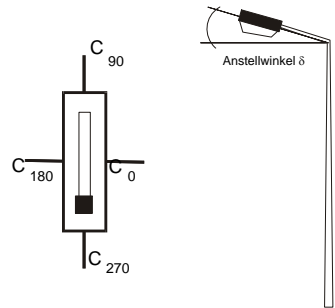
gamma / °	C 0	C 15	C 30	C 45	C 60	C 75	C 90	C 105	C 120	C 135	C 150	C 165	C 180	C 195	C 210	C 225	C 240
0	530.1	530.1	530.1	530.1	530.1	530.1	530.1	530.1	530.1	530.1	530.1	530.1	530.1	530.1	530.1	530.1	530.1
5	531.0	528.7	523.1	522.0	521.9	522.6	522.5	522.6	521.9	522.0	523.1	528.7	531.0	534.3	535.2	535.3	535.3
10	534.2	531.2	530.8	532.1	532.6	530.0	530.4	530.0	532.6	532.1	530.8	531.2	534.2	536.7	537.5	536.8	537.3
15	517.1	518.7	517.3	512.8	507.0	500.6	499.9	500.6	507.0	512.8	517.3	518.7	517.1	519.6	519.8	519.7	515.3
20	489.6	492.5	496.0	481.7	478.9	476.4	476.7	476.4	478.9	481.7	496.0	492.5	489.6	493.3	497.0	486.6	483.4
25	456.0	468.0	465.0	453.0	449.5	451.0	449.9	451.0	449.5	453.0	465.0	468.0	456.0	470.8	468.0	452.8	453.0
30	439.0	452.9	437.1	430.0	426.9	430.7	428.9	430.7	426.9	430.0	437.1	452.9	439.0	452.3	438.2	433.3	431.9
35	412.0	422.0	413.4	407.1	408.9	407.5	407.2	407.5	408.9	407.1	413.4	422.0	412.0	421.8	414.2	411.2	412.8
40	335.5	356.0	381.7	394.9	403.1	392.3	371.8	392.3	403.1	394.9	381.7	356.0	335.5	357.9	388.2	402.4	408.8
45	252.4	264.5	299.7	357.8	334.0	238.9	196.7	238.9	334.0	357.8	299.7	264.5	252.4	268.5	304.8	358.5	355.0
50	200.6	207.6	208.1	238.2	120.3	84.5	86.7	84.5	120.3	238.2	208.1	207.6	200.6	205.5	211.7	247.4	142.5
55	157.1	155.1	154.6	72.7	31.9	38.3	47.9	38.3	31.9	72.7	154.6	155.1	157.1	154.8	157.8	86.2	28.1
60	93.6	102.3	100.4	14.4	13.9	14.5	16.3	14.5	13.9	14.4	100.4	102.3	93.6	105.5	107.8	12.9	11.1
65	39.4	38.0	12.0	4.7	4.3	4.1	3.6	4.1	4.3	4.7	12.0	38.0	39.4	38.1	18.6	3.8	3.6

gamma / °	C 255	C 270	C 285	C 300	C 315	C 330	C 345
0	530	530	530	530	530	530	530
5	536	536	536	535	535	535	534
10	537	539	537	537	537	538	537
15	510	511	510	515	520	520	520
20	480	482	480	483	487	497	493
25	455	455	455	453	453	468	471
30	433	435	433	432	433	438	452
35	413	411	413	413	411	414	422
40	407	397	407	409	402	388	358
45	275	233	275	355	359	305	269
50	83	82	83	143	247	212	206
55	32	40	32	28	86	158	155
60	11	12	11	11	13	108	106
65	3	3	3	4	4	19	38

article code
Ecowat Co.

lamp(s)
1 x LED
total flux
16700 lm
LOR
100 %
tilt angle
0.0 °

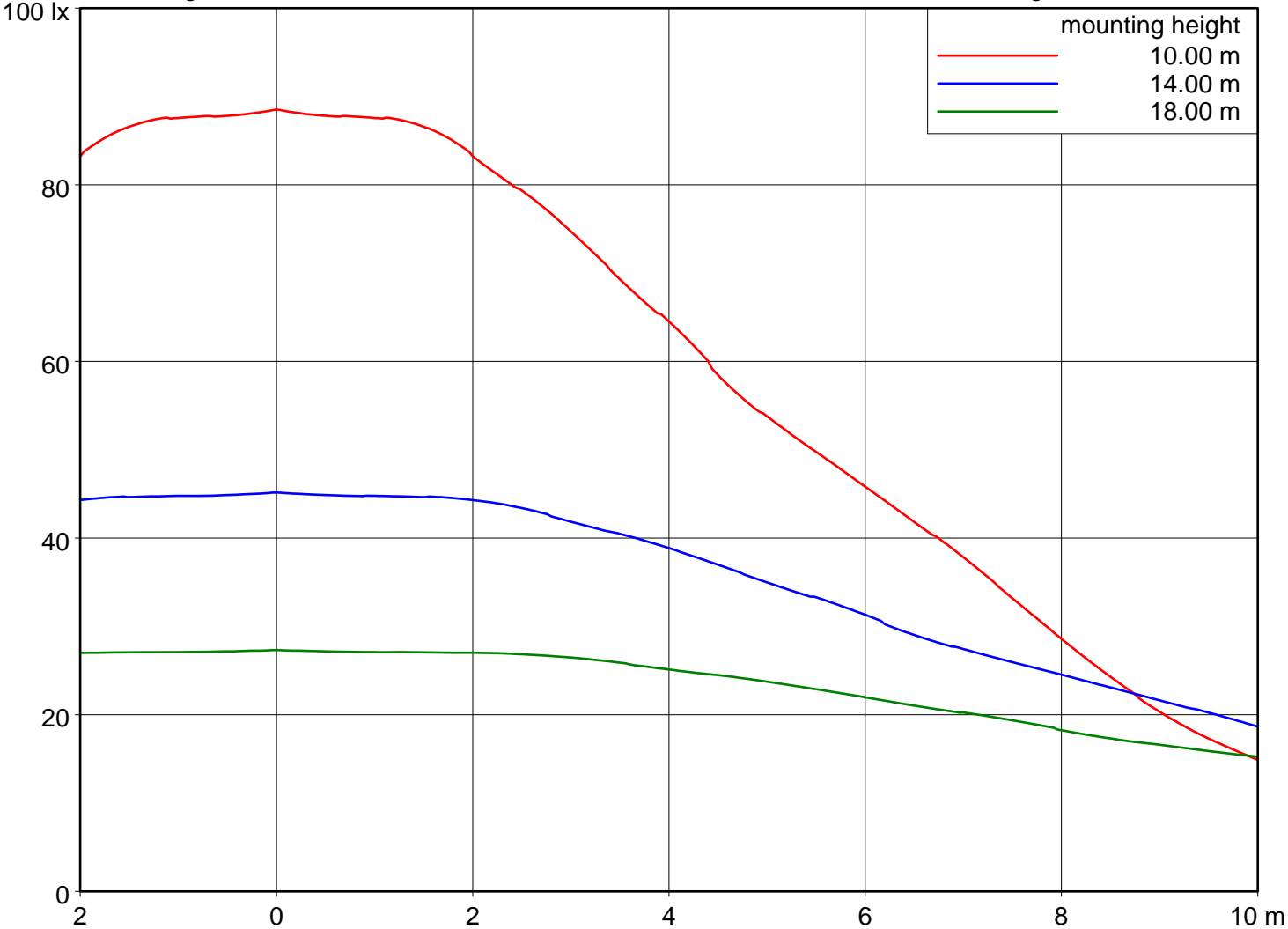
file
FLOODLIGHT_L



tilt angle : 0.0°
swivel angle : 0.0°

orientation : 0.0°

light loss factor : 1.0



article code
Ecowat Co.

lamp(s)
1 x LED
total flux
16700 lm
LOR
100 %
tilt angle
0.0°

file
FLOODLIGHT_L

